

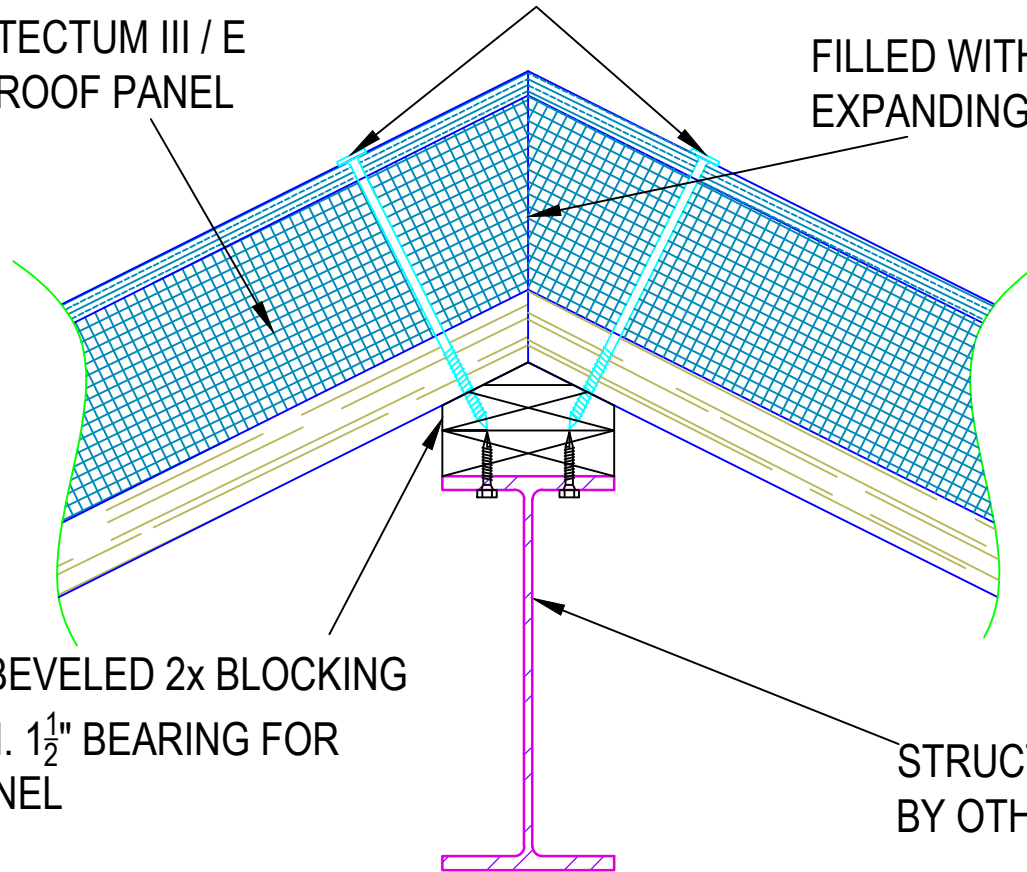
TRUFast SCREWS @ 12" O.C. WITH 1" MIN. PENETRATION
GLUE PANELS TO BLOCKING CUT TO FIT

TECTUM III / E ROOF PANEL

FILLED WITH COMPATIBLE EXPANDING FOAM

CONTINUOUS BEVELED 2x BLOCKING BY OTHERS MIN. 1 1/2" BEARING FOR EACH ROOF PANEL

STRUCTURAL MEMBER BY OTHERS



1 RIDGE ON STEEL
Scale: N.T.S.

These drawings show typical conditions in which the Armstrong product depicted is installed. They are not a substitute for an architect's or engineer's plan and do not reflect the unique requirements of local building codes, laws, statutes, ordinances, rules and regulations (Legal Requirements) that may be applicable for a particular installation. Armstrong does not warrant, and assumes no liability for the accuracy or completeness of the drawings for a particular installation or their fitness for a particular purpose. The user is advised to consult with a duly licensed architect or engineer in the particular locale of the installation to assure compliance with all Legal Requirements. Armstrong is not licensed to provide professional architecture or engineering design services.

PROJECT NAME: RIDGE ON STEEL		
DATE: 10-20-17	SCALE: N.T.S.	PROJECT NO.: XXX
REV:	DATE:	DESC.: 2042 - RIDGE ON STEEL
REV:	DATE:	



DRAWN BY: KBD	PROJECT MNGR: XXX	SHEET
		SK1
		1 OF 1