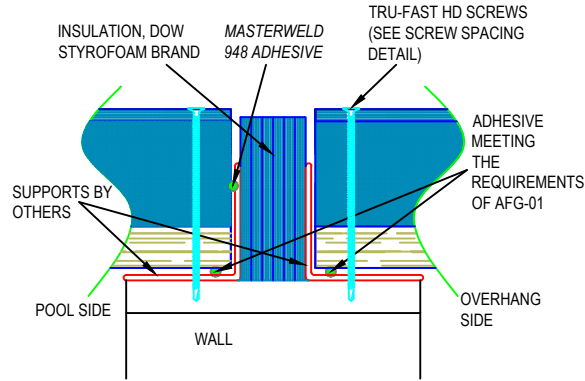


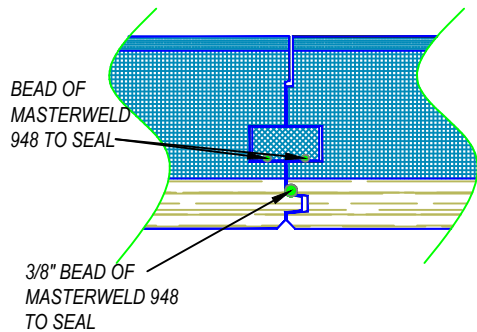
NOTE: WHEN PANEL THICKNESS IS GREATER THAN 5" USE TRUFAS HD SCREWS
 NOTE: CONTACT TECTUM INC. FOR MOISTURE INSTALLATIONS



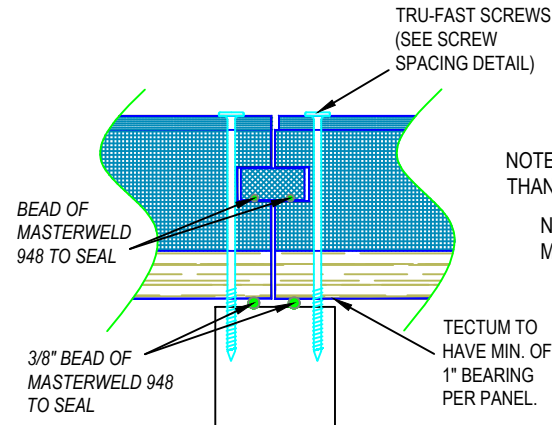
NOTE: WHEN PANEL THICKNESS IS GREATER THAN 5" USE TRUFAS HD SCREWS
 NOTE: CONTACT TECTUM INC. FOR MOISTURE INSTALLATIONS

1 TECTUM POOL - PARAPET WALL
 Scale: N.T.S.

1 TECTUM POOL - OVER THE WALL - OVERHANG
 Scale: N.T.S.



NOTE: WHEN PANEL THICKNESS IS GREATER THAN 5" USE TRUFAS HD SCREWS
 NOTE: CONTACT TECTUM INC. FOR MOISTURE INSTALLATIONS



NOTE: WHEN PANEL THICKNESS IS GREATER THAN 5" USE TRUFAS HD SCREWS
 NOTE: CONTACT TECTUM INC. FOR MOISTURE INSTALLATIONS

1 TECTUM POOL - PLANK - WIDTH CONNECTION
 Scale: N.T.S.

1 TECTUM POOL - SUPPORT - LENGTH CONNECTION
 Scale: N.T.S.

These drawings show typical conditions in which the Armstrong product depicted is installed. They are not a substitute for an architect's or engineer's plan and do not reflect the unique requirements of local building codes, laws, statutes, ordinances, rules and regulations (Legal Requirements) that may be applicable for a particular installation. Armstrong does not warrant, and assumes no liability for the accuracy or completeness of the drawings for a particular installation or their fitness for a particular purpose. The user is advised to consult with a duly licensed architect or engineer in the particular locale of the installation to assure compliance with all Legal Requirements. Armstrong is not licensed to provide professional architecture or engineering design services.

PROJECT NAME: TECTUM POOL DETAILS			
DATE: 10-04-17	SCALE: N.T.S.	PROJECT NO.: XXX	DRAWN BY: KBD
REV:	DATE:	DESC.: 2018 - TECTUM POOL DETAILS	
REV:	DATE:		

Armstrong[®]
CEILING & WALL SOLUTIONS

SHEET
SK1
1 OF 1